

Model X.

**The simplest  
digital diagnostics.**

# Model X 3D

# Model X 3D







# The simplest digital diagnostic, that's it.

What makes it so simple and intuitive?

## **Simplest workflow.**

It is simple because Diplomat offers the most seamless integration between Diplomat Dental chairs and CBCT. It makes diagnosis easier and enhances the patient experience like never before!

## **Simplest diagnosis.**

Diplomat Model X offers a combination of features, integrated with AI algorithm, which provide superior image quality that makes diagnosis a piece of cake!

## **Plan with ease, explain with confidence.**

Diplomat Connect X imaging software not only enhances your treatment planning but also simplifies patient communication, ensuring clearer explanations and greater trust.



# Simplest

Model Pro



# workflow.

## Switch to digital in a heartbeat.

Fully automatically and without pressing a single button, the X-ray image appears directly on the dental chair – ready for diagnosis and patient discussion. Don't waste time on complex solutions. Choose a faster, easier diagnosis, an enhanced patient experience. Switch to digital, and your patients will immediately feel the difference.



Model X



# Why does simplicity matter?

If it's not simple, you won't use it – meaning you miss out on all the benefits. But with Model Pro and Model X, data flows automatically between the two.

Your X-ray image shows up right at the dental chair, ready for you to diagnose and share with your patient – effortless and instant.



Simplest workflow



## You will immediately gain:

1

**Quicker, easier diagnoses.**  
Especially when you need multiple X-rays for a treatment.

2

**Improve the overall experience.**  
You can easily share findings and discuss treatment plans.

3

**Showcase your skills.**  
Make your patients feel at ease and confident in your care.

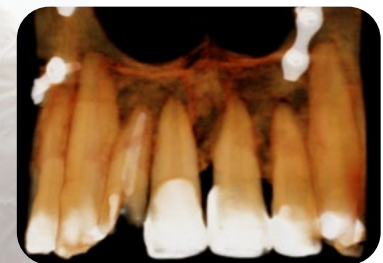
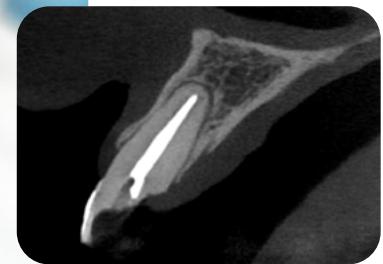


# Simplest diagnosis.



Combination of ultrahigh resolution, 0,2 or 0,5 focal spot, superior algorithm for correction of patient movement and metal artifacts provides superior image quality that makes diagnosis a piece of cake!





Easy diagnoses are a given, thanks to top-notch image quality and powerful algorithms. Just like an Olympic athlete makes complex moves look effortless, our technology takes something complicated and makes it simple. It's all about turning the hard stuff into something smooth and easy.

Fractured lines, accessories canales, and little details are visible thanks to the HD or Ultra HD Resolutions, which allows to get images with 75 µm voxel size in 5x5 images.

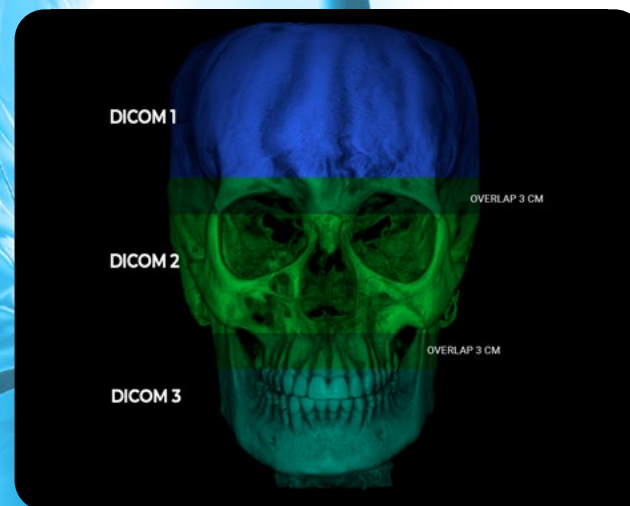
75 µm  
voxel

# Smart stitching algorithm.



## Patient motion correction.

The Model X algorithm automatically corrects the image, ensuring high exam quality, avoiding repetitions and offering greater accuracy for making diagnoses.



## 3 cm overlap.

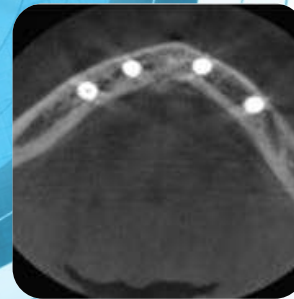
Stitching algorithm is extremely precise with a 3 cm overlap to ensure precise image integration. Combined with the Patient Motion Correction algorithm, it allows to have big FOV images with very high quality, up to 21x16 FOV.



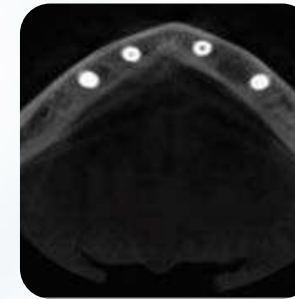


## Ultra-fast cooling system.

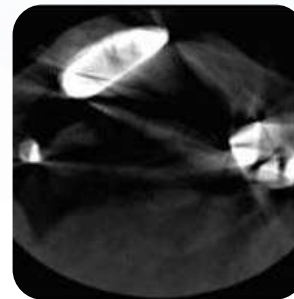
Model X 3D has an integrated ultra-fast cooling system, which allows the machine to make up to x3 acquisitions in row. This is why it is very easy to take acquisition with FOV up to 21x16.



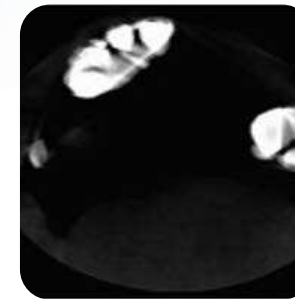
Without MAR



With MAR



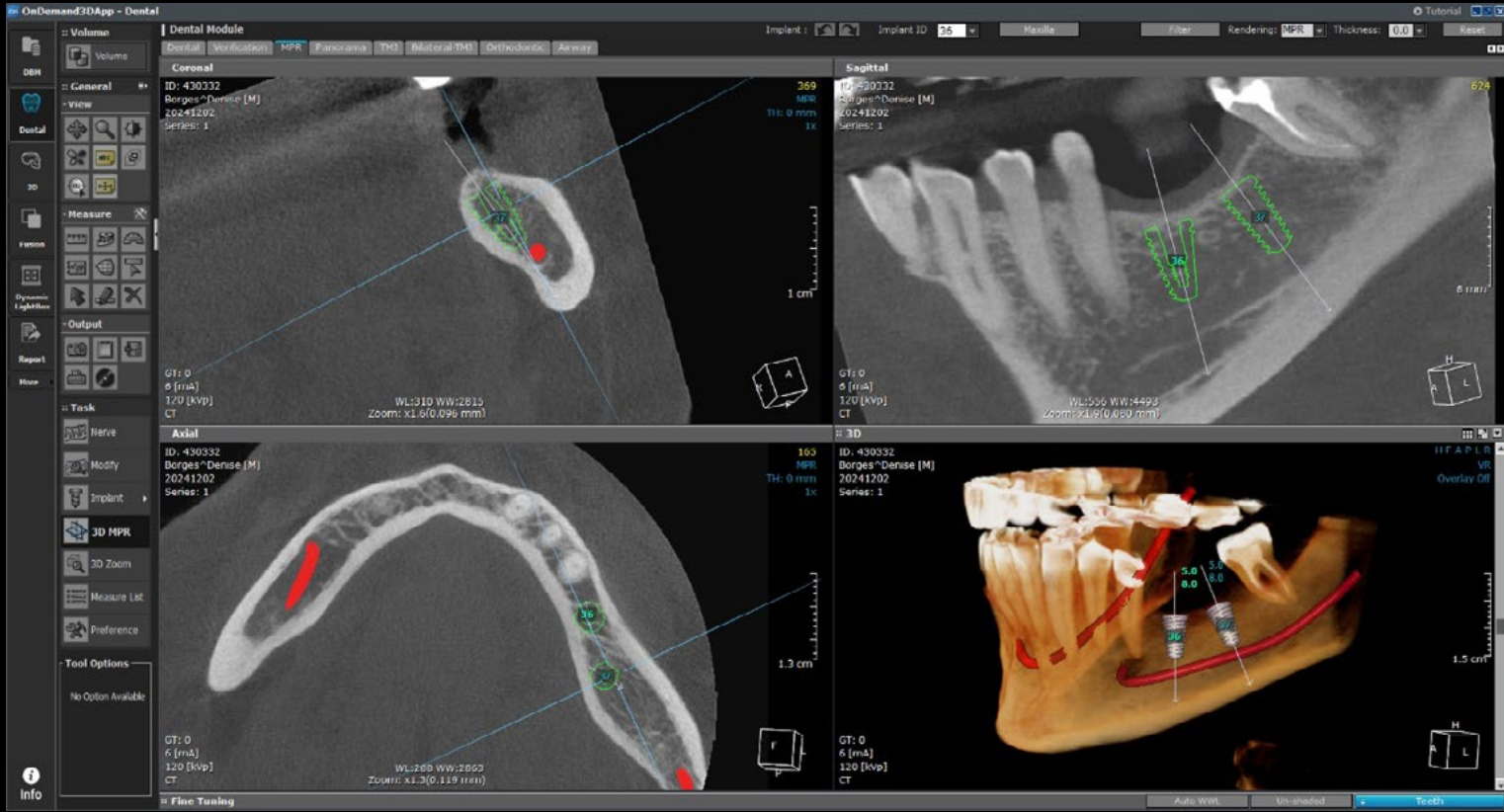
Without MAR



With MAR

## Three levels of MAR algorithm.

MAR algorithm offers three processing levels which can be selected after the acquisition. Mistakes cannot be made in setting the acquisition parameters. It cannot get any simpler than this.



# Implant planning with full flexibility.

Plan with ease, explain with confidence.

## Open-Source freedom.

Model X is designed to work with any implant planning software, giving you the flexibility to choose the system that best fits your practice. No limitations, no restrictions – just complete control over your workflow.

## Seamless integration.

Unlike closed systems, Model X allows you to integrate your preferred tools effortlessly. Whether you already have a trusted planning software or want to explore new options, Diplomat Dental ensures compatibility.

## Precision & efficiency.

Achieve highly accurate implant planning while optimizing both time and costs. Work with the software you know and trust to streamline diagnostics and enhance treatment outcomes.

## Future-proof technology.

Stay ahead of industry advancements with a system that adapts to your needs. As new software solutions emerge, Model X ensures you are always equipped with cutting-edge technology.

# Model X possible configurations.

## Model X 3D 9x14

PAN + CBCT

PAN + CBCT + CEPH



5x5°



6x9°



9x9°

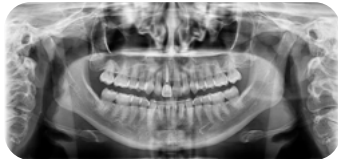


9x14° stitching

## Model X 3D 21x16

PAN + CBCT

PAN + CBCT + CEPH



5x5°



6x9°



9x9°



9x16°



15x16° stitching



21x16° stitching

## Model X 3D 0,2 FS (9x14)

CBCT



5x5°



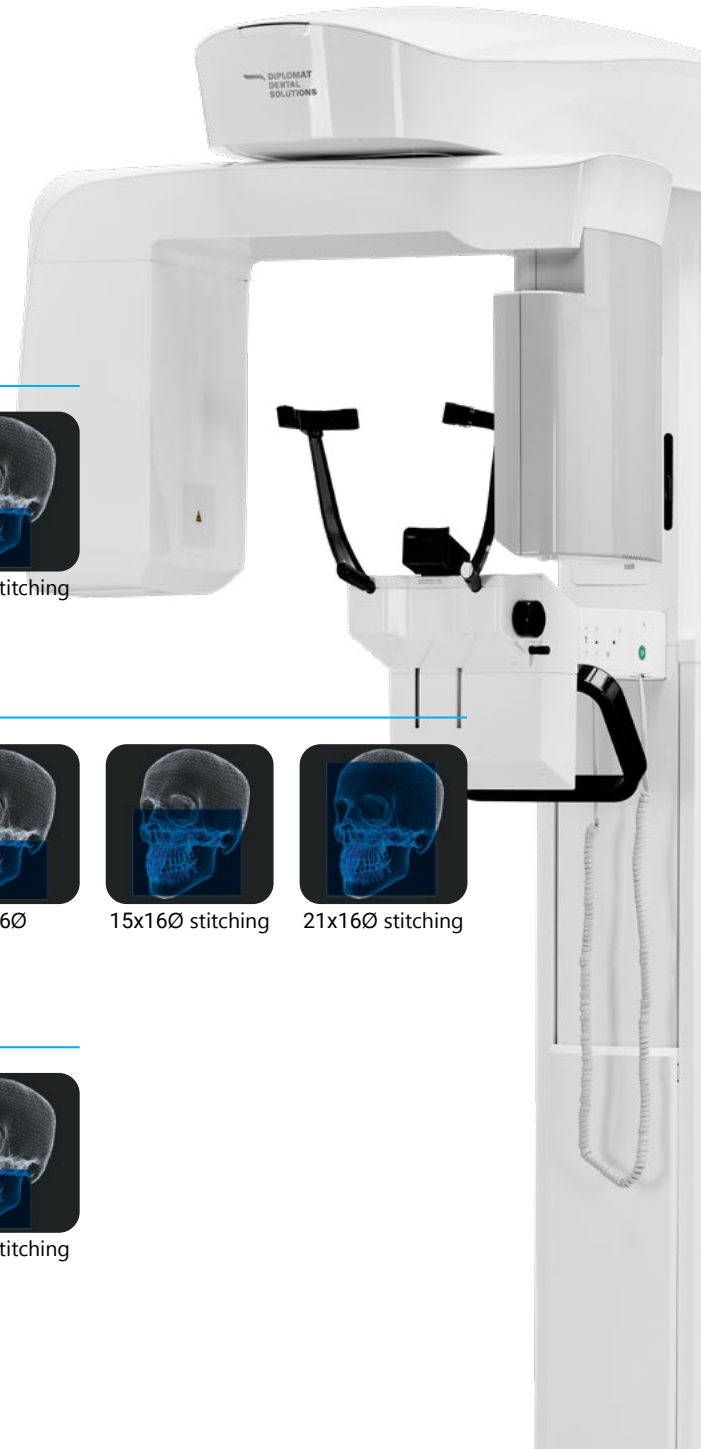
6x9°



9x9°



9x14° stitching



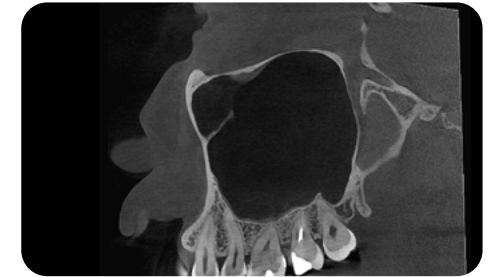
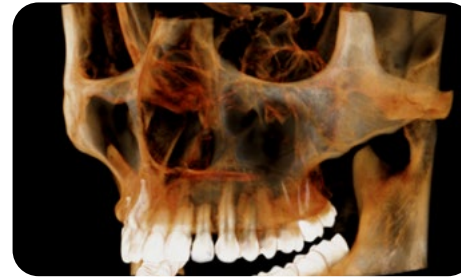


# 3D clinical images

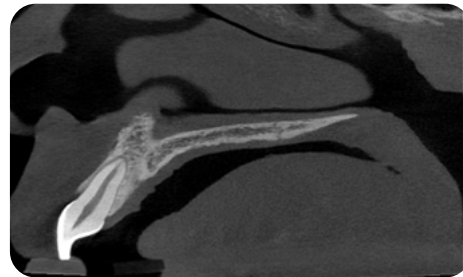
FOV 5x5 Endo



FOV 9x14 Oral and Maxillofacial



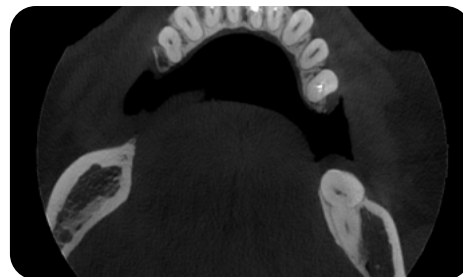
FOV 6x9 Maxilla or Mandible



FOV 9x16 Extended Mandible



FOV 9x9 Complete Mandible

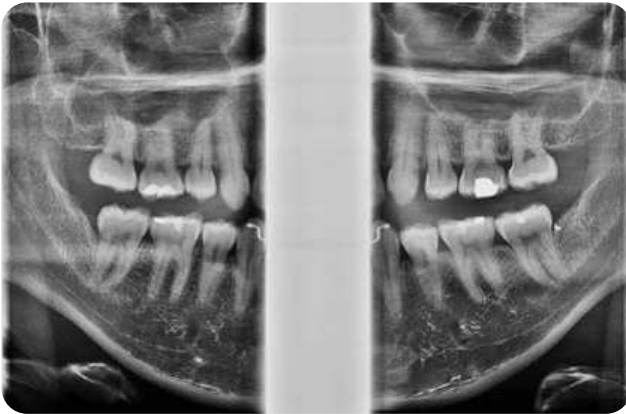


FOV 15x16 Cranium

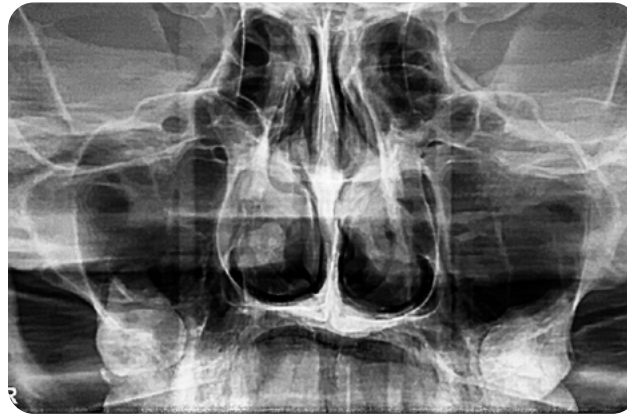


# Panoramic 2D clinical images

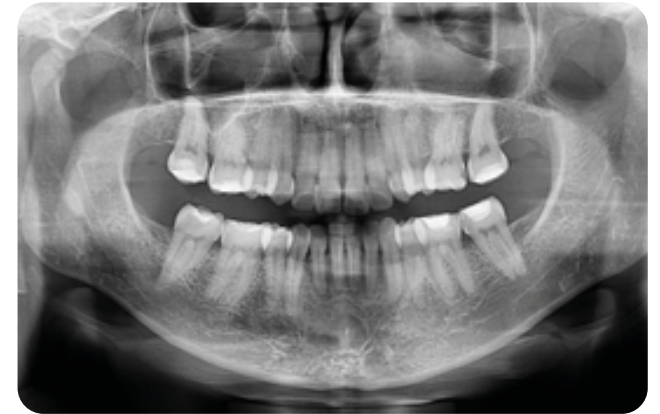
Bitewing



Maxillary Sinuses



Panoramic



Children's Panoramic



Enhanced Ortho

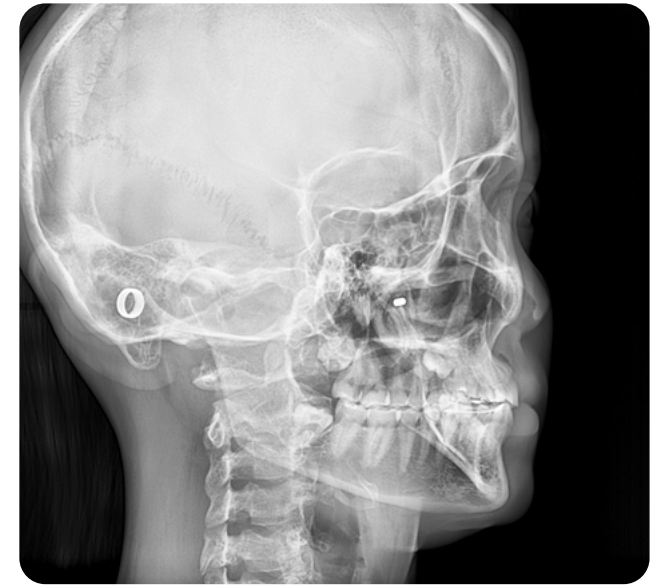


TMJ



# Cephalometrical clinical images

Oblique Ceph



AP/PA Frontal Ceph



Lateral Ceph



Carpal Ceph



# Diplomat digital workflow.

## Transform your practice in 5 steps.



# 1

### Embrace Smart Dentistry with Model Pro.

Transform your practice with the digital and smart Model Pro chair – the smart dental unit designed to enhance patient communication and deliver the best possible patient experience, streamline workflow and simplifies care.

# 2

### Showcase. Streamline. Succeed.

Model Pro tablet allows you to present and visualize the treatment plan. Clear communication builds trust and boosts case acceptance. Instill confidence and trust in your patients, visualizing their oral health.

With the Diplomat Connect App you can save your protocols and streamline your workflow for maximum efficiency, making your treatments more profitable.



### 3 Simplify diagnostics with Model X.

Adopt Diplomat Model X 3D for the simplest and effortless diagnostics. With simple workflow, superior image quality, and simplified treatment planning, Model X makes your diagnosis easy.

### 4 Integrate Model Pro and Model X.

Enjoy effortless integration between Model Pro and Model X to accelerate treatment execution. Get X-ray images directly at the chair, while sitting next to the patients. Show them your treatment plan. Instill confidence and trust in your patients.

### 5 Future-proof your dental practice.

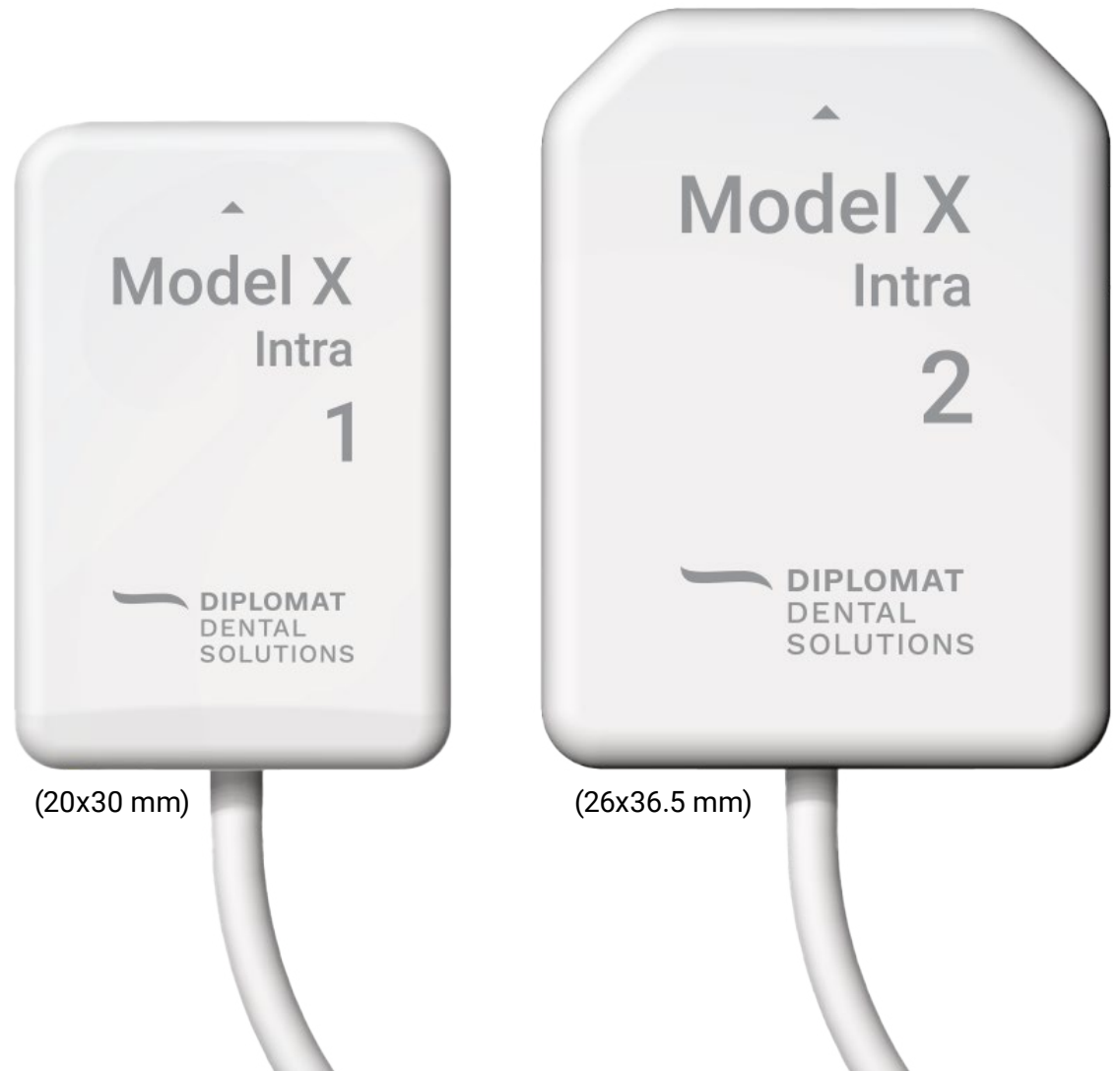
Transform your practice with Model Pro and Model X – moving from analog to digital you're not just upgrading equipment. You're delivering a better patient experience and you will have a more profitable workflow.

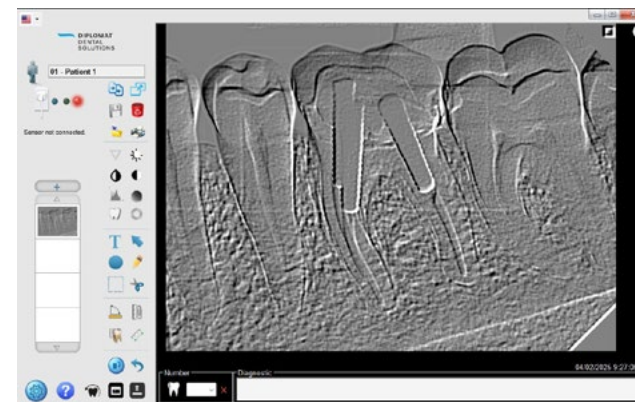
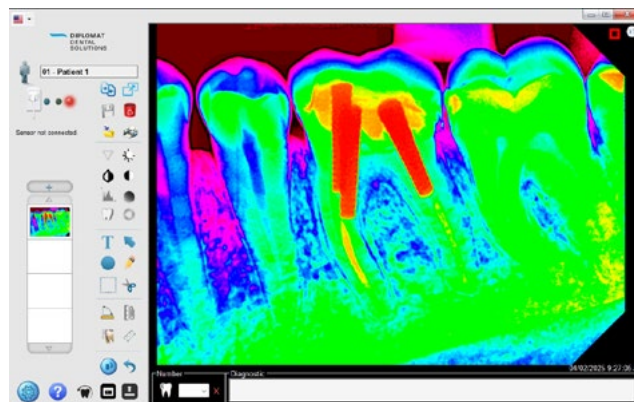
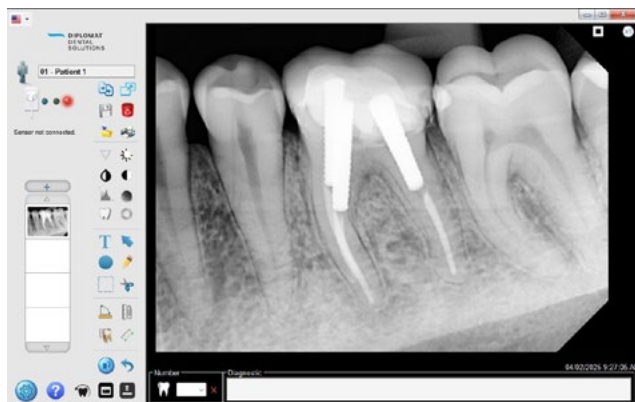


# Digital imaging made easy.

## Diplomat Intra 1 & Diplomat Intra 2

Advanced intraoral sensors designed to streamline your workflow and elevate diagnostic precision. Say goodbye to traditional film and experience a faster, more efficient, and eco-friendly way to capture high-definition images.





## Why choose Diplomat Intra sensors?

### Exceptional image quality.

Capture crisp, high-resolution images with 25 lp/mm theoretical resolution and 12-bit grayscale for accurate diagnostics.

### Two sensor sizes for flexibility.

Choose Diplomat Intra 1 (20x30 mm) or Diplomat Intra 2 (26x36.5 mm) to suit various clinical cases.

### Effortless integration.

Compatible with most X-ray equipment and designed for seamless operation with an intuitive, plug-and-play software.

### Durable & ergonomic design.

Internal silicone finish and beveled edges for enhanced patient comfort, plus a 3-meter replaceable cable for long-term reliability.

### Time-saving & cost-efficient.

No need for radiographic film, developer, or fixer – reduce operational costs while improving efficiency.

## Boost your workflow with smart software features.

- Instantly capture and organize images in real-time.
- Wide range of editing tools: zoom, brightness & contrast adjustment, measuring tools, annotations, and full-screen comparison.
- DICOM export for seamless image sharing and documentation.
- Monitor calibration test for optimized image clarity.
- Easy image import from other exams (panoramic) and patient photos.

## Product specification – comparison table

		DIPLOMAT X 3D 0.2 FS (9x14)	DIPLOMAT X 3D (21x16)	DIPLOMAT X 3D (9x14)	DIPLOMAT X 2D
PRODUCT	FOCAL POINT (mm)	0.2	0.5	0.5	0.5
	VOXEL (µm)	48–200	75–400	75–400	NA
	FOV (FIELD OF VIEW)	5x5, 6x9, 9x9, 9x14	5x5, 6x9, 9x9, 9x16, 15x16 & 21x16	5x5, 6x9, 9x9, 9x14	NA
	CEPH	NA	0	0	0 (1 OR 2 SENSORS)
	TUBE VOLTAGE (kV)	60–90	60–120	60–120	60–90
	TUBE CURRENT (mA)	1.8–4	3.2–16	3.2–16	3.2–16
	POWER SUPPLY VOLTAGE (V)	110/127/220/240 AC	110/127/220/240 AC	110/127/220/240 AC	110/127/220/240 AC
	BITE BLOCKS	5 BITE BLOCKS & 3 CHIN RESTS	5 BITE BLOCKS & 3 CHIN RESTS	5 BITE BLOCKS & 3 CHIN RESTS	5 BITE BLOCKS & 3 CHIN RESTS
	MAR – ARTEFACT CORRECTION	0/1/2/3	0/1/2/3	0/1/2/3	NA
	PMC – PATIENT MOTION CORRECTION	S	S	S	NA
	3 CM OVERLAP	S	S	S	NA
	ULTRA-FAST COOLING SYSTEM	S	S	S	NA
	PRODUCT 3D UPGRADES	NA	NA	NA	0
SOFTWARE: DIPLOMAT CONNECT X	PATIENT AND EXAMINATION MANAGEMENT	S	S	S	S
	TWAIN	S	S	S	S
	IMAGE MANAGEMENT	S	S	S	S
	POST IMAGE PROCESSING	S	S	S	S
	EXPORT TO EMAIL	S	S	S	S
	DICOM (IMPORT, SAVE, SEND)	S	S	S	S
	MEASUREMENTS AND NOTES	NA	S	S	S
	PRINT TEMPLATE	S	S	S	S
	DIPLOMAT CONNECT X (GENERATION OF VIEWS, PACS COMMUNICATION, DICOM WORKLIST)	S	S	S	S
	DIPLOMAT CEPH (CEPHALOMETRIC TRACE)	NA	0	0	0
CEPHALOMETRY – ARTIFICIAL INTELLIGENCE	NA	S with Ceph	S with Ceph	S with Ceph	

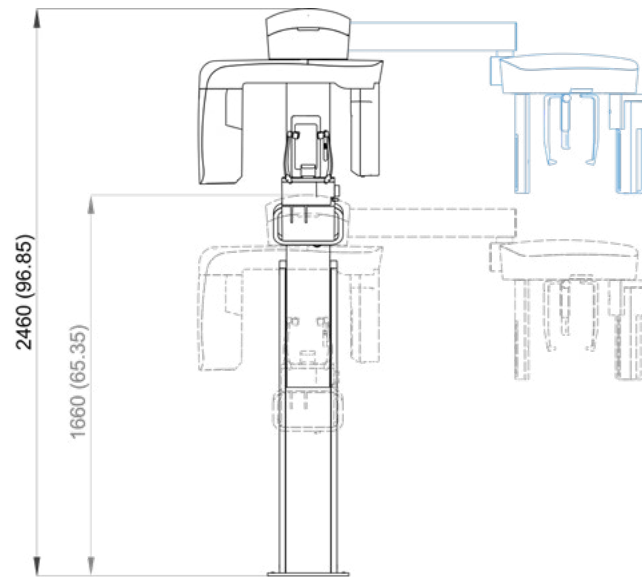
**S:** Standard    **O:** Optional (module sold separately)    **NA:** Not Applicable



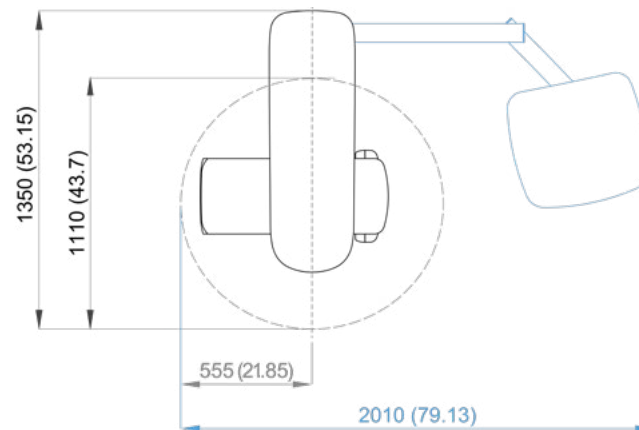
# Computer configuration – minimum requirements

Product	Operating system	CPU	HDD	RAM	USB 2.0	PCI Express	Dedicated network card	Power supply	Monitor	Video card
2D	Windows 10 Professional - 64 BIT	Intel Core i5 Gen 10 Cache 12 MB 4.0 GHz or superior	1 TB	8 GB (DDR4)	1 USB Port	PCI Express (PCIe)	Gigabit Ethernet (1000 Mb/s), JumboPacket 9KB (Intel i350-T1, Intel Gigabit CT, PCE-1G-01-LP)	400 W or superior*	Resolution 1920x1080	
3D	Windows 10 Professional - 64 BIT	Intel Core i7 Gen 10 Cache 12 MB 4.0 GHz or superior	1 TB	16 GB (DDR4)	2 USB Ports	PCI Express (PCIe)	Gigabit Ethernet (1000 Mb/s), JumboPacket 9KB (Intel i350-T1, Intel Gigabit CT, PCE-1G-01-LP)	500 W or superior*	Resolution 1920x1080	NVidia Geforce RTX 4060 8GB or superior. Recommended for faster rebuilds: NVidia GeForce RTX 4070 12 GB or superior

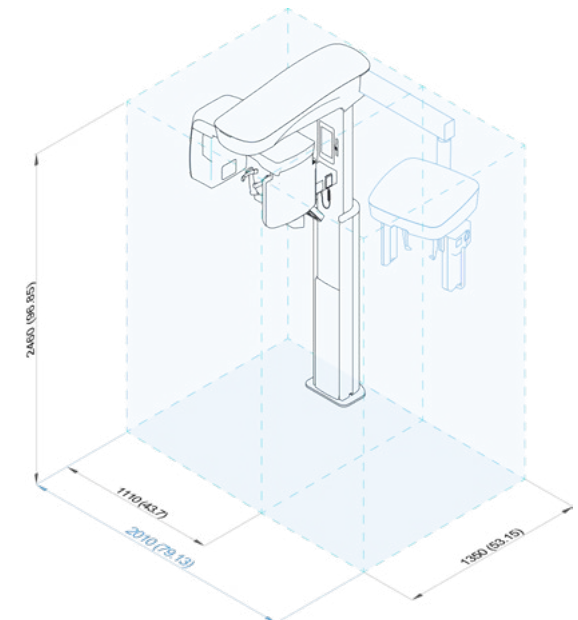
## Dimensions



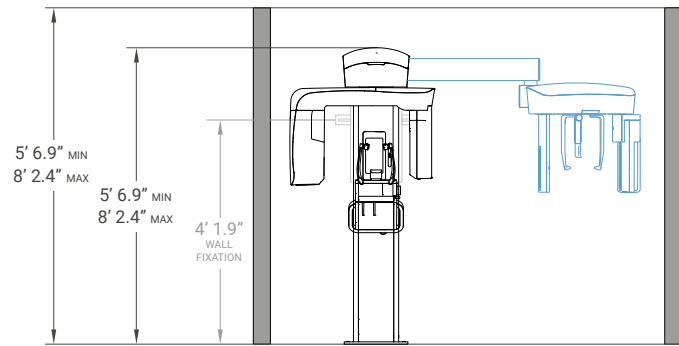
FRONT VIEW



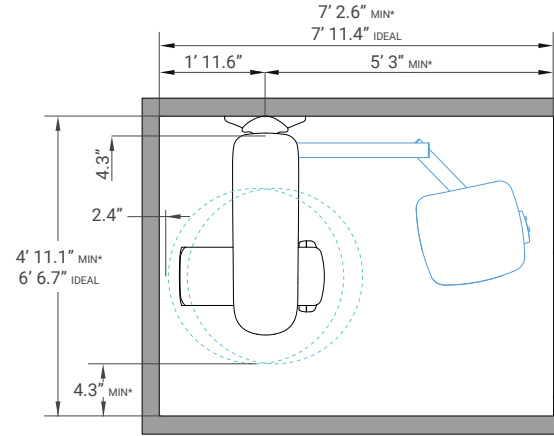
TOP VIEW



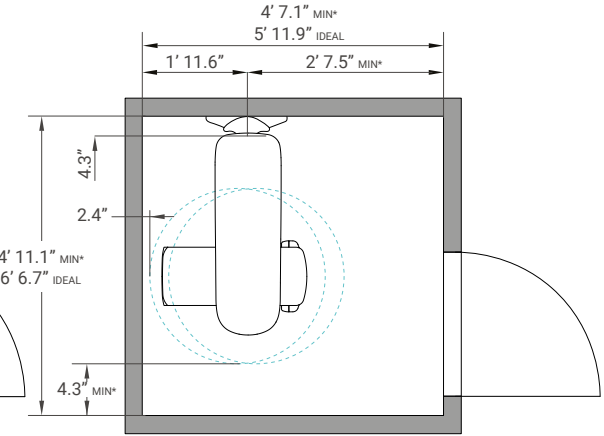
## Recommended room size



Height

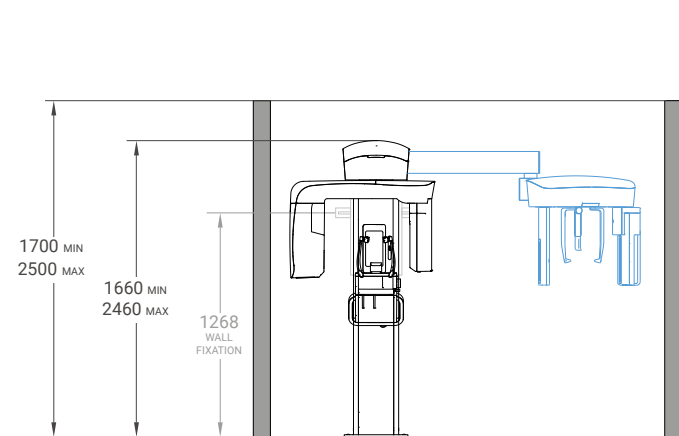


Floor area  
with ceph

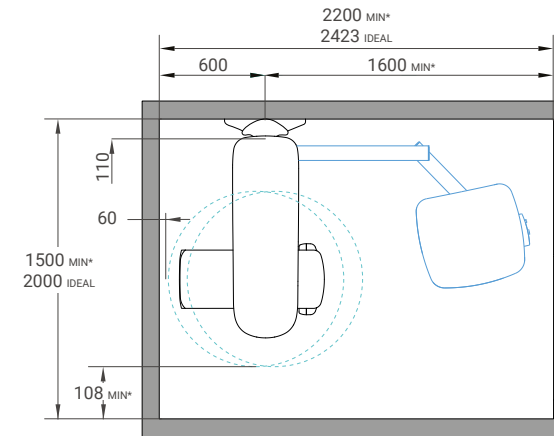


Floor area  
without ceph

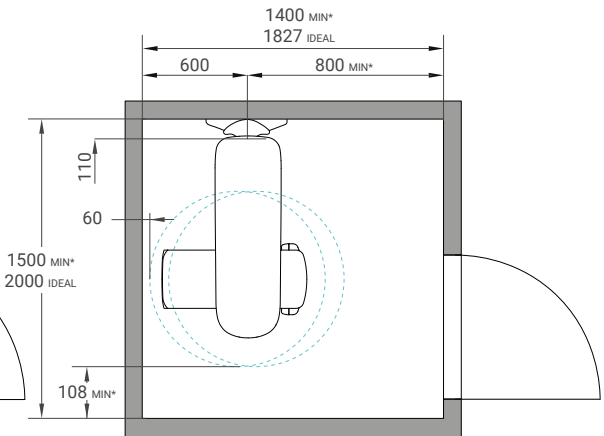
Unit of length: feet & inches



Height



Floor area  
with ceph



Floor area  
without ceph

Unit of length: mm





\* Minimum room lengths are only viable for rooms with a sliding, or outward opening door.  
Local guidelines may vary. Seek guidance from your local health authorities for further information and requirements regarding the installation and operation of the equipment.



**Contact our sales team:**

+421 33 7954 111  
info@diplomat-dental.com

**Follow us:**

-  @diplomat\_dental
-  Diplomat dental
-  Diplomat Dental Solutions
-  Diplomat Dental Solutions

**Showroom address:**

DIPLOMAT DENTAL s.r.o.  
Vrbovská cesta 17  
921 01 Piešťany  
Slovak Republic

**www.diplomat-dental.com**

