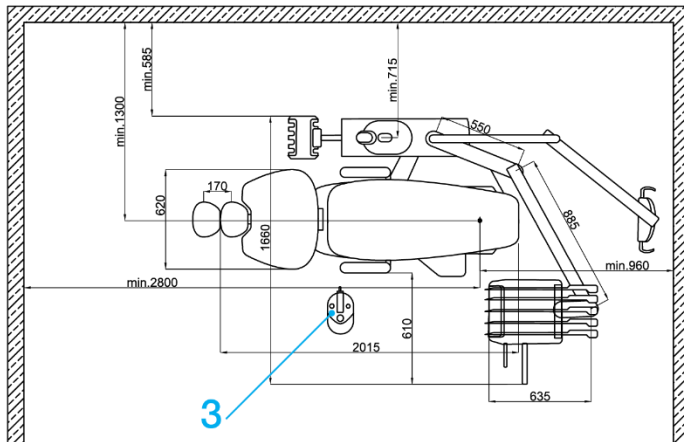
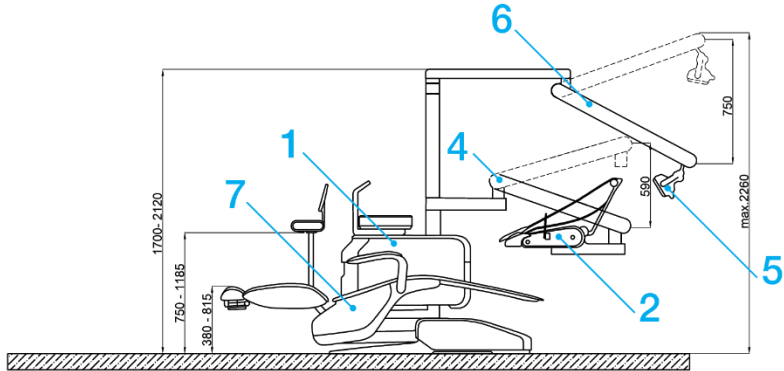


## 1.2 Technical parameters

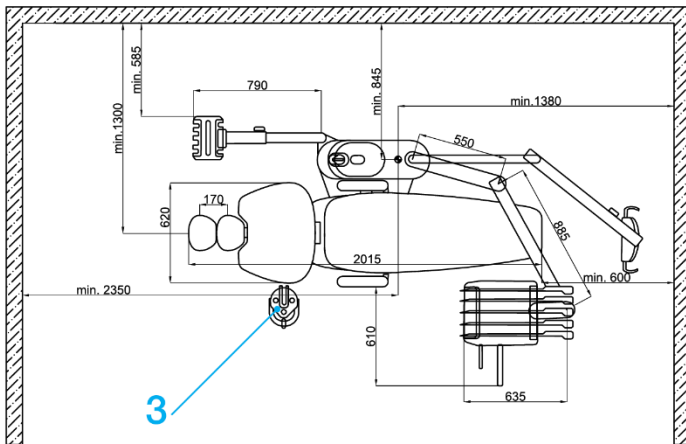
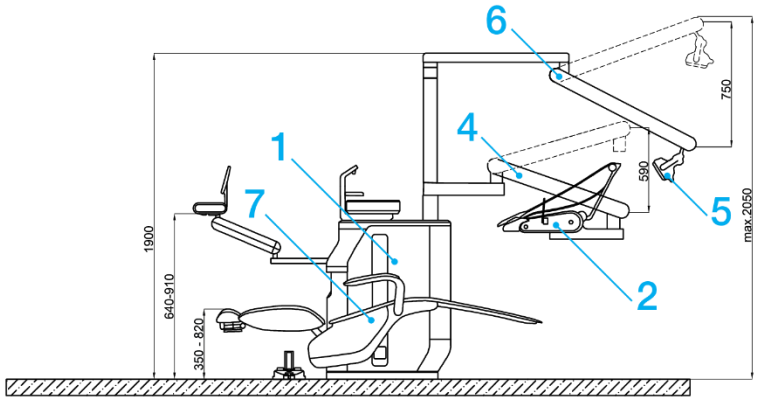
Dental unit	Value
Supply voltage	220 - 240 V ~ 100 - 127 V ~
Frequency:	50/60 Hz
Max. input:	400 VA
Connection with tablet - Bluetooth®:	2.402 GHz – 2.480 GHz
Supply air pressure:	0.45 - 0.8 MPa
Supply water pressure:	0.3 - 0.6 MPa
Unit weight, netto (Model Pro 500, 700):	260 + max. 25 kg
Unit weight, netto (Model Pro 600, 800):	290 + max. 25 kg
Type of protection against electric shock:	Protection class I instrument.
Degree of protection against electric shock:	Type B attaching parts.
Degree of protection by cover:	IP21
Temperature of water for the cup (If heater is installed)	25 - 35 °C
Load capacity of the unit (EN ISO 7494-1):	max. 200 kg
Load capacity of the storage table on the lamp arm:	1.5 kg
Load capacity of the dentist's element tray table:	1 kg
• 290 x 370 mm	
Mode of operation:	Permanent with intermittent loading typical of standard dental work.
Seat height range above the ground.	
• Model Pro 500, Model Pro 700 With cradle function / without cradle function:	380 mm - 815 mm ± 20 mm
• Model Pro 600, Model Pro 800 With cradle function / without cradle function:	350 mm - 820 mm ± 20 mm
Vertical movement in the unloaded state:	max. 19 s
Movement of the back-rest in the unloaded state:	max. 13 s
Seat recline	max. 13 s
Weight of the chair according to the design	(Not applicable for Model Pro 600, 800)
• Anchored without seat cradle function	118 + max. 5 kg
• Anchored with seat cradle function:	122 + max. 5 kg
• Not anchored without seat cradle function:	133 + max. 5 kg
• Not anchored with seat cradle function:	137 + max. 5 kg
Operating mode:	1:9
Chair noise:	max. 54 dB

## 2.1 Carried dental units



- |                                       |                           |
|---------------------------------------|---------------------------|
| 1. Cuspidor with assistant's arm      | 5. Operating light        |
| 2. Dentist's control panel            | 6. Pantographic light arm |
| 3. Foot controller                    | 7. Dental chair           |
| 4. Dentist's control panel pantograph |                           |

## 2.2 Stationary dental units



- |                                       |                           |
|---------------------------------------|---------------------------|
| 1. Cuspidor with assistant's arm      | 5. Operating light        |
| 2. Dentist's control panel            | 6. Pantographic light arm |
| 3. Foot controle.                     | 7. Dental chair           |
| 4. Dentist's control panel pantograph |                           |