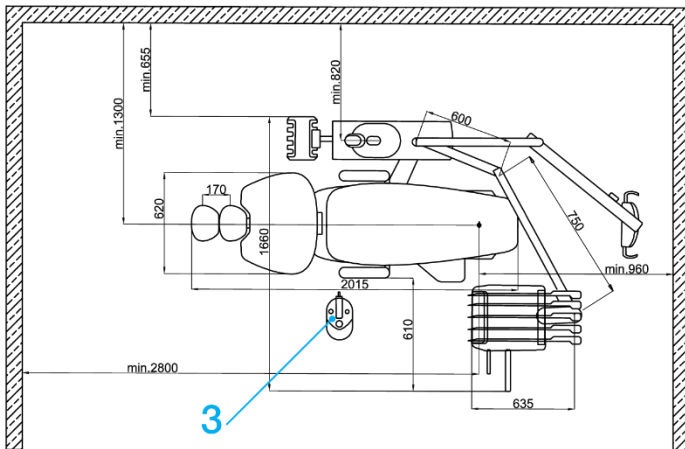
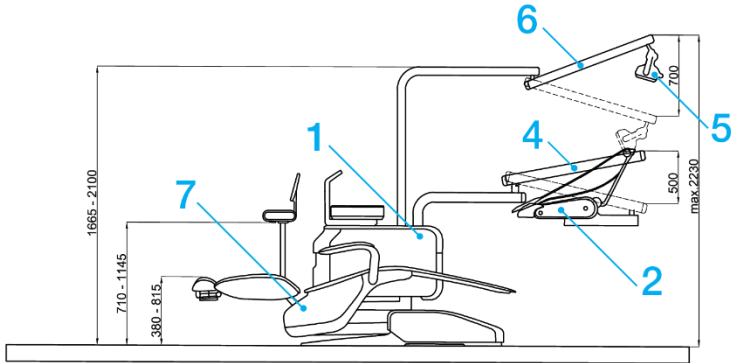


## 1.2 Technical parameters

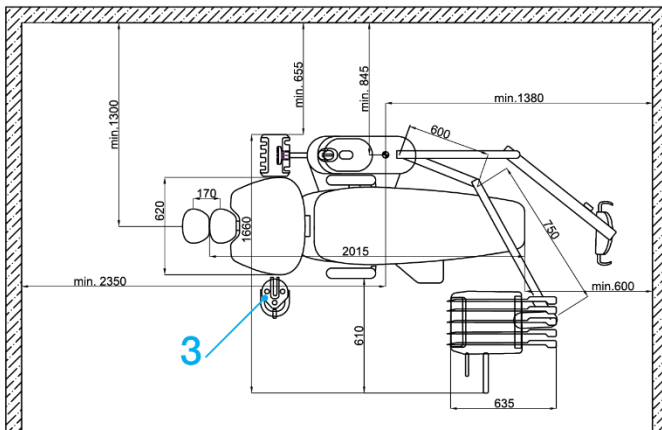
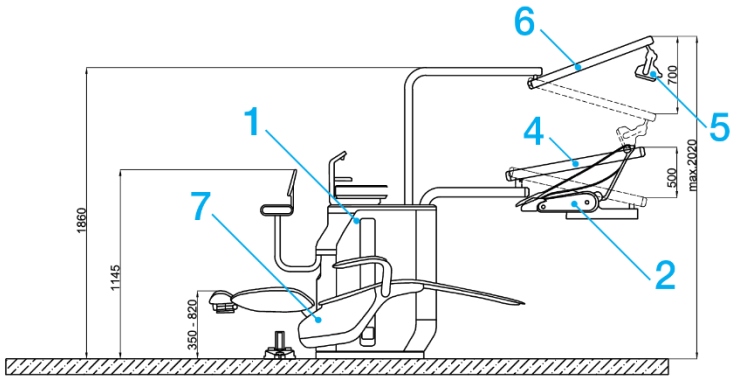
Dental unit	Value
Voltage	220 - 240 V ~ 100 - 127 V ~
Frequency	50/60 Hz
Max. power	400 VA
Supply air pressure	0,45 - 0,8 MPa
Supply water pressure	0,3 - 0,6 MPa
Unit weight, netto (Model ONE 100)	260 + max. 50 kg
Unit weight, netto (Model ONE 200)	290 + max. 25 kg
Type of protection against electric shock	class I protection device
Level of protection against electric shock	applied parts B
Enclosure rating	IP21
Temperature of water for the cup (if heater is installed)	25 - 35 °C
Capacity of articulated light arm storage table	1,5 kg
Capacity of dentist's panel tray table: <ul style="list-style-type: none"> <li>● 290 x 370 mm</li> </ul>	1 kg
Mode of operation	permanent with intermittent loading typical of standard dental work
Chair height above ground: <ul style="list-style-type: none"> <li>● Model One 100</li> <li>● Model One 200</li> </ul>	380 mm - 815 mm ± 20 mm 350 mm - 820 mm ± 20 mm
Vertical motion when unloaded	max. 19 s
Backrest motion when unloaded	max. 13 s
Seat recline (with cradle function) when unloaded	max. 13 s
Load capacity of the unit chair (EN ISO 7494-1)	max. 200 kg
Weight of the chair according to the design <ul style="list-style-type: none"> <li>● Anchored without seat cradle function</li> <li>● Anchored with seat cradle function:</li> <li>● Not anchored without seat cradle function:</li> <li>● Not anchored with seat cradle function:</li> </ul>	(Not applicable for Model One 200) 118 + max. 5 kg 122 + max.5 kg 133 + max.5 kg 137 + max.5 kg
Mode of operation	1:9
Chair noise	max. 54 dB

## 2.1 Carried dental unit



- |  |                           |
|--|---------------------------|
| 1. Cuspidor block with assistant's arm | 5. Operating light        |
| 2. Dentist's control panel             | 6. Pantographic light arm |
| 3. Foot controller                     | 7. Dental chair           |
| 4. Dentist's control panel pantograph  |                           |

## 2.2 Stationary dental unit



- |  |                           |
|--|---------------------------|
| 1. Cuspidor block with assistant's arm | 5. Operating light        |
| 2. Dentist's control panel             | 6. Pantographic light arm |
| 3. Foot controller                     | 7. Dental chair           |
| 4. Dentist's control panel pantograph  |                           |